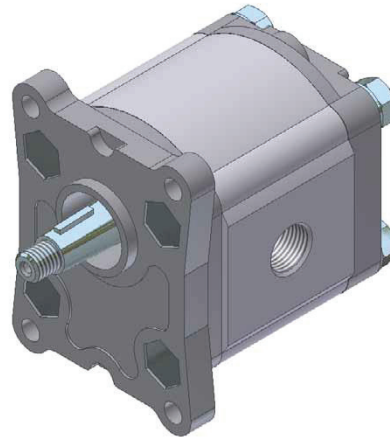


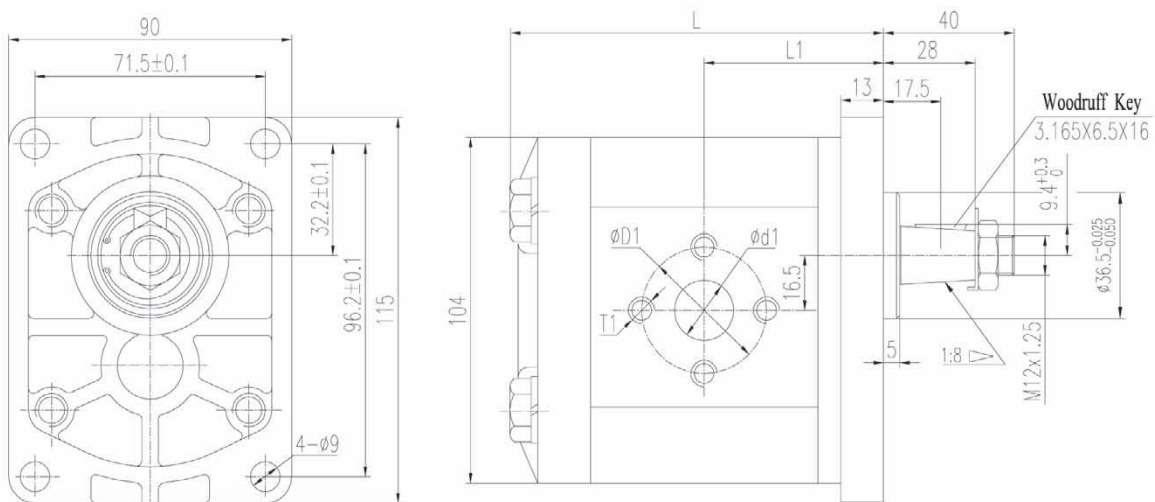
European flange



Type	Displacement c.c.	Pressure Mpa		Speed			L (mm)	L1 (mm)
		Rated	Peak	Rated	Max.	Min.		
VNK-2-4-*3-*-*C	4	25	28	2000	3500	500	95.5	43.3
VNK-2-6-*3-*-*C	6	25	28	2000	3500	500	99	45
VNK-2-8-*3-*-*C	8	25	28	2000	3500	500	102	46.5
VNK-2-10-*3-*-*C	10	25	28	2000	3500	500	105	48
VNK-2-12-*3-*-*C	12	25	28	2000	3500	500	108	49.5
VNK-2-14-*3-*-*C	14	25	28	2000	3500	500	111	51
VNK-2-16-*3-*-*C	16	25	28	2000	3500	500	114	52.5
VNK-2-18-*3-*-*C	18	25	28	2000	3500	500	117.5	54.3
VNK-2-20-*3-*-*C	20	25	28	2000	3500	500	121	56
VNK-2-23-*3-*-*C	23	20	25	2000	3500	500	125.5	58.3
VNK-2-25-*3-*-*C	25	20	25	2000	3500	500	128	59.5
VNK-2-28-*3-*-*C	28	16	20	2000	3500	500	133	62
VNK-2-30-*3-*-*C	30	16	20	2000	3500	500	136	63.5

Rotation: A Left C Right

Dimensions:



Flange type 3