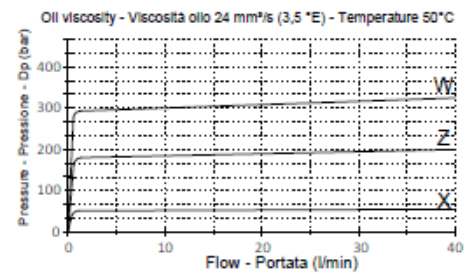
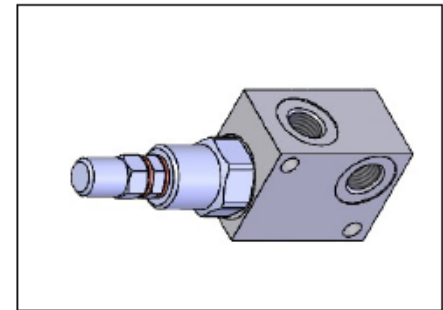
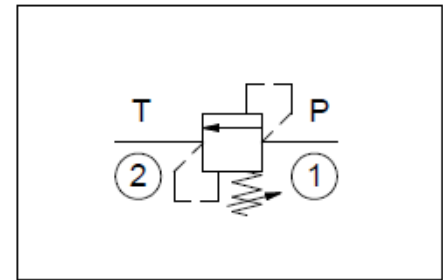
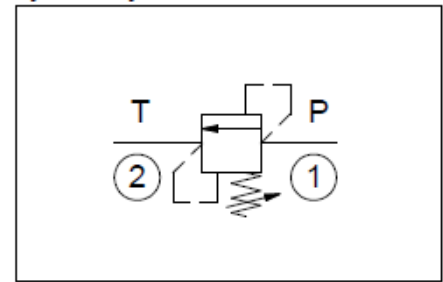
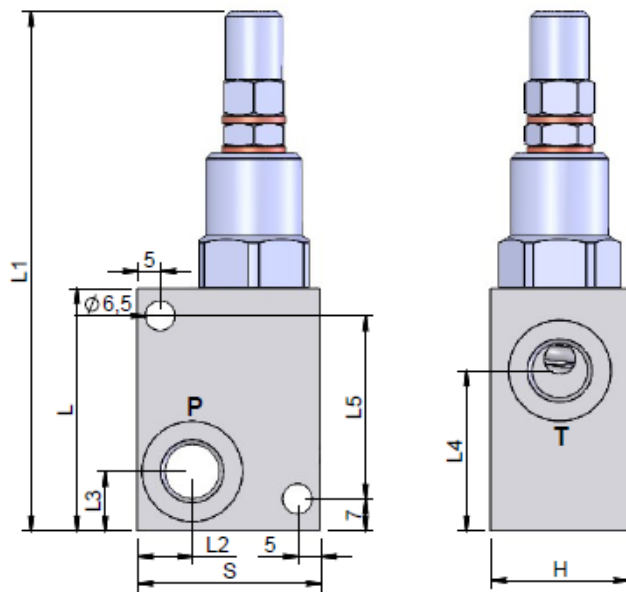


## VINCKE HYDRAULIC LINE VALVES

### Relief valve with manometer port

Specification	
Fluid viscosity:	ISO 3448
Filtration:	ISO 4406
Fluid temperature:	-20°C +90°C
Ambient temperature:	-20°C +50°C
Max. Operating pressure:	350Bar
Standard seals:	NBR 70 Shore A
Manifold material:	Zinc plated/zincate



Code	P-T	M	L	L1	L2	L3	L4	L5	Weight	Max. Flow
K-DRLV-45	1/4 BSPP	1/4 BSPP	52	114	12	13	40	40	0,45	40
K-DRLV-70	3/8 BSPP	1/4 BSPP	55	117	12	15	43	40	0,45	40