

# DV/DRV series throttle valves/ throttle check valves



DV/DRV series throttle valves/ throttle check valves are used to regulate the speed of actuators simply and precisely.

## Ordering details



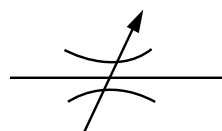
Sort	Mounting type	Nominal size	Cracking pressure	Thread type
DV: Throttle valve DRV: Throttle check valve	No code: threaded mounting P: Subplate mounting	6: NG6 8: NG8 10: NG10 12: NG12 16: NG16 20: NG20 25: NG25 30: NG30 40: NG40	a: 0.4bar b: 4bar	No code: Inch thread 2: Metric thread

## Technical specification

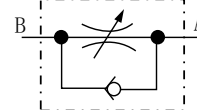
Nominal size		6	8	10	12	16	20	25	30	40
Rated flow (l/min)		20	60	75	140	175	200	300	400	500
Working pressure (MPa)		35								
Weight(kgs)	DV	0.12	0.25	0.4	0.7	1.2	2.1	2.8	3.5	——
	DVP	0.25	0.45	0.75	1	2.4	3.6	6	10.9	——
	DRV	0.13	0.3	0.45	0.8	1.3	2.4	3.5	4.6	7.7
	DRVP	0.26	0.5	0.8	1.1	2.5	3.9	6.7	11	17.5

## Symbol

DV



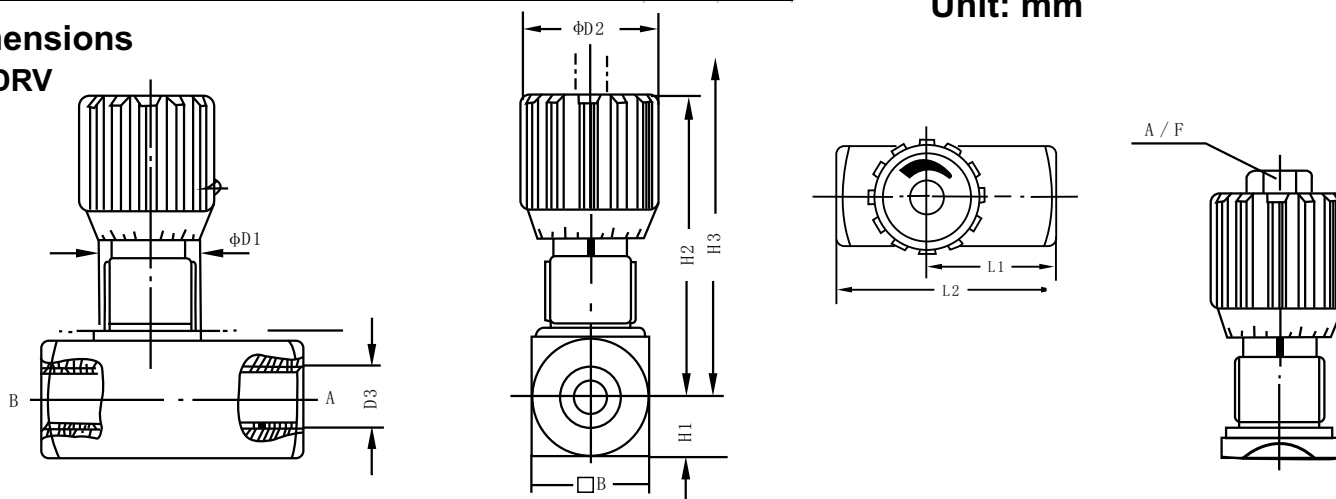
DRV



Unit: mm

## Dimensions

### DV/DRV



Nominal size	B	φ D1	φ D2	D3	H1	H2	H3	L1		L2		A/F
								DV	DRV	DV	DRV	
6	15	16	24	G1/8	8	50	55	19	26	38	45	
8	25	19	29	G1/4	12.5	65	72	24	33.5	48	45	
10	30	19	29	G3/8	15	67	74	29	41	58	65	
12	35	23	38	G1/2	17.5	82	92	34	44	68	73	
16	45	23	38	G3/4	22.5	96	106	39	57	78	88	
20	50	38	49	G1	25	128	145	54	77	108	127	19
25	60	38	49	G1 1/4	30	133	150	54	93	108	143	19
30	70	38	49	G1 1/2	35	138	155	54	108	108	143	19
40	90	38	49	G2	45	148	165		130		165	19