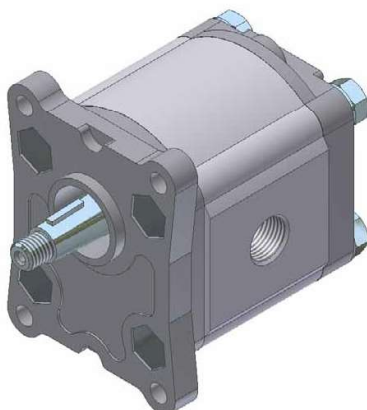


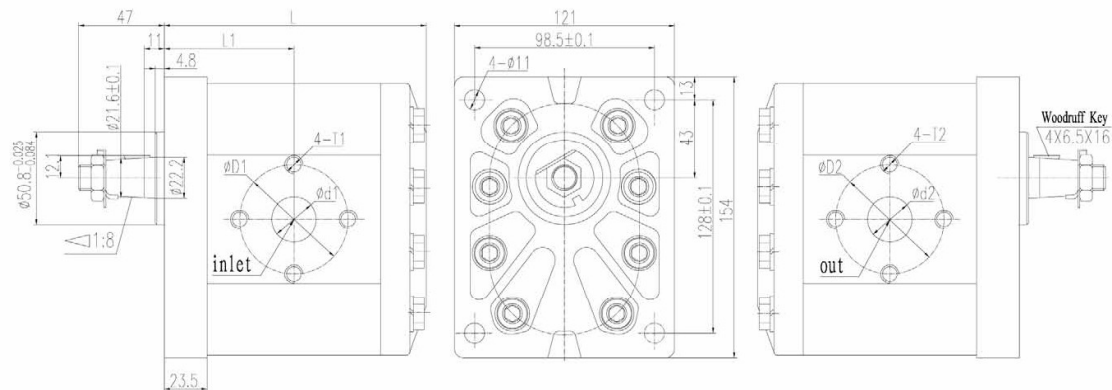
European flange



Type	Displacement C.C.	Pressure Mpa		Speed			L (mm)	L1 (mm)
		Rated	Peak	Rated	Max.	Min.		
VNK-3-22-*-5-*-C	22	25	30	2000	3000	400	128.5	65.5
VNK-3-26-*-5-*-C	26	25	30	2000	3000	400	131.5	67
VNK-3-34-*-5-*-C	34	25	30	2000	3000	400	137	69.8
VNK-3-39-*-5-*-C	39	25	30	2000	3000	400	141	71.8
VNK-3-43-*-5-*-C	43	25	30	2000	2800	400	143.5	73
VNK-3-51-*-5-*-C	51	25	30	2000	2800	400	149.5	76
VNK-3-60-*-5-*-C	60	20	25	1500	2800	400	156	79.3
VNK-3-70-*-5-*-C	70	20	23	1500	2500	400	163	82.8
VNK-3-78-*-5-*-C	78	20	23	1500	2300	400	169.2	85.2
VNK-3-89-*-5-*-C	89	18	20	1500	2000	400	174.2	88.2

Rotation: A Left C Right

Dimensions:



Flange type 5